

Retail scale



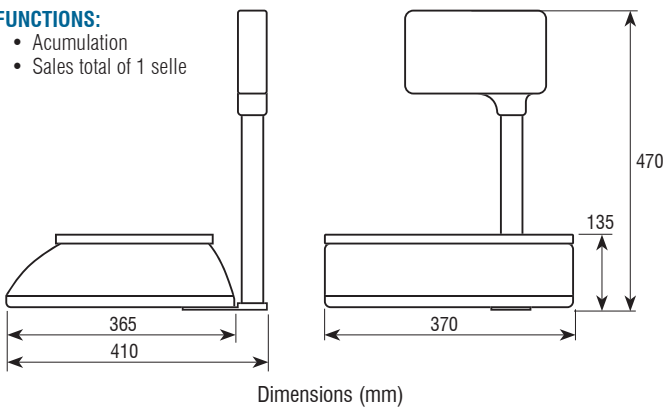
FEATURES:

- Balance weight-price-cost.
- EC approval of the model with series verification.
- House in ABS.
- Plate in stainless steel.
- Dimensions of the plate: 365x235 mm.
- Column with screen included in both sides.
- Column in painted aluminum and base in ABS.
- Individual screens for the weight, price per unit and total price.
- Sales statistics of 1 seller.
- LCD back illuminated screens.
- 28 keys of direct memorized price and 71 additional PLU.
- Internal rechargeable battery of 6V. It lasts up to 200 hours (and 12 hours to load).
- Power supply with adaptor AC/DC 240Vac 50Hz.
- Temperature of use: -10°C + 40°C.
- Automatic opening of the drawer purse with a function key (drawer purse accessory available).
- Customizable independent menu: for calculation mode (active/deactivated) and automatic opening in the operation (active/deactivated).
- Printer included. Paper of 57 mm in width and Ø51mm.
- Shortcut key for paper feed.
- Ticket headboards which can be configurable alphanumerically. Headboard of 4 lines and foot of one line.
- Ticket number identification and number of series to follow the applicable regulations of simplified invoice.
- Printing formats of report:
 - Sales per type, gathered per PLU's, pieces, kilograms. It includes total amount and information about the total VAT amount.
 - It shows line per line all the operations done. It includes subtotal and total (there is no VAT breakdown).
 - Printing with VAT breakdown.
- The period of the sales report can be selected (whole days) and headboard.
- Printing languages: Spanish, French, English, Portuguese and Italian.



FUNCTIONS:

- Accumulation
- Sales total of 1 selle



Back screen column



Printer included

| Code # | Capacity (kg) | Readout (g) | Pan dimensions (mm) | Packing dimensions (mm) | Packing weight (kg) |
|--------|---------------|-------------|---------------------|-------------------------|---------------------|
| 260472 | 6/15 | 2/5 | 365x235 | 255x525x465 | 9 |
| 260471 | 15/30 | 5/10 | 365x235 | 255x525x465 | 9 |

Accessories

| Code # | Accessories description |
|--------|--------------------------|
| 270417 | Pan to weight fruit |
| 910020 | Plastic cash drawer 330A |
| 910094 | Metal cash drawer 410 |