



7227.0005

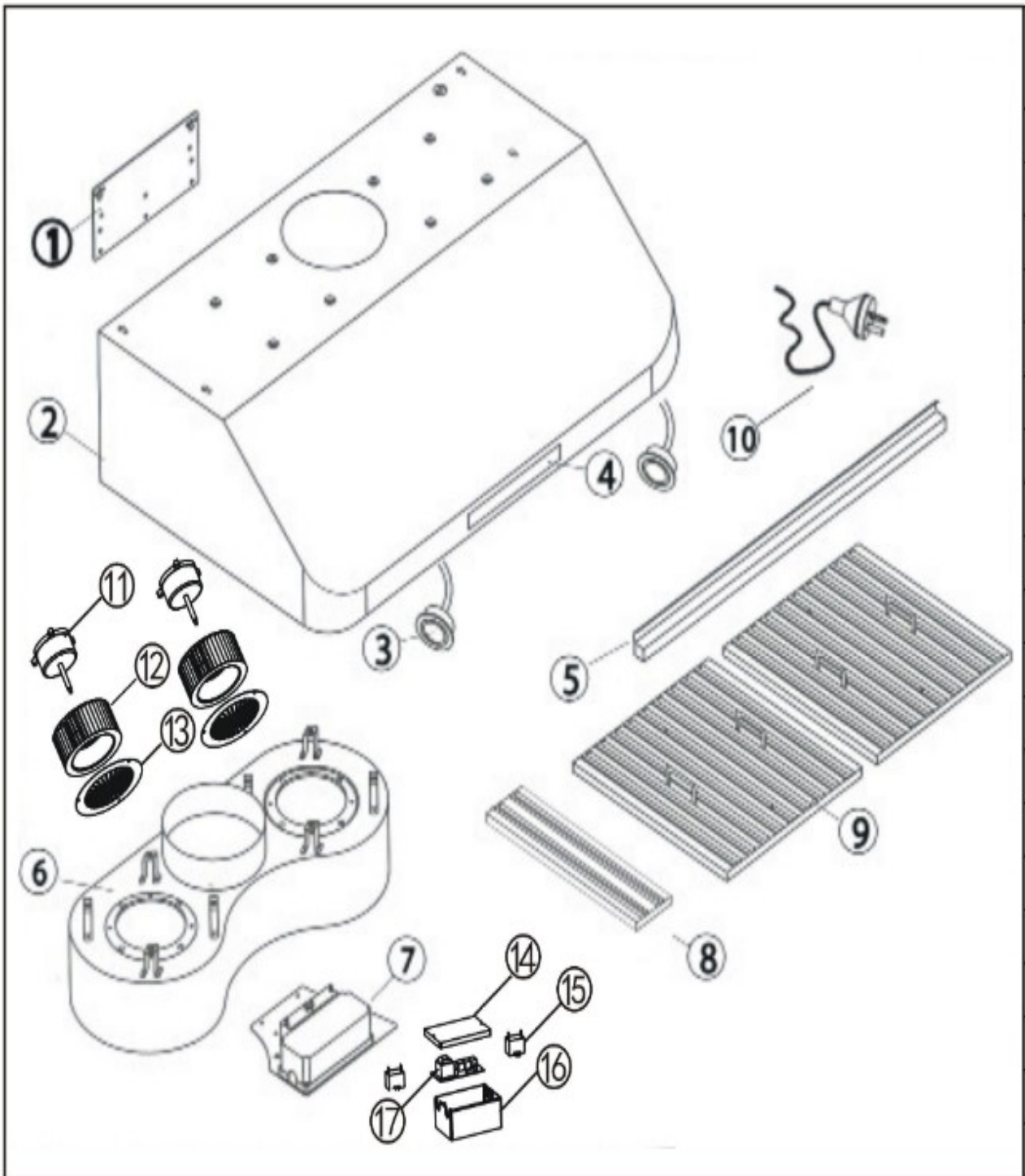
Onderdelen informatie

Erzatzteil information

Spare part information

Information de pièces





Onderdelenlijst 7227.0005

POS:	Art.No.:	Omschrijving:	Aantal:
1		Chimney Mounting Bracket for Hood Body	
2		Stainless Steel Body only	
3	CS9035.0650	LED 3x1W 12V Light Bulb Cold (White) Color	
4	CS9035.0620	4-Spd R-Type Touch Sensor Elec. Control Panel LED w/Cable (Circuit Board not included)	
5		Oil Channel	
6		Dual motor 4-Spd 240V/50Hz	
7	CS9035.0640	Plastic box for the circuit board (pos 14+16)	
8	CS7227.1005	Little Baffle Filter Type-III (206x356)	
9	CS7227.1000	Baffle Filter Type-II (344x356)	
10		Power cord for Western Europe	
11	CS9035.0600	Motor 4-Spd 240V/50Hz	
11A	CS9035.0601	Motor 4-Spd 240V/50Hz	
12	CS9035.0602	Left Fan blade	
12A	CS9035.0604	Right Fan blade	
13	CS9035.0660	Air Flow Grill	
14		Circuit Box Lid (See Pos 7)	
15		Capacitor 10uf	
16		Circuit Box Body (See Pos 7)	
17	CS9035.0610	Universal Elec. Main Circuit Board for LED Type	