



**7227.0100**

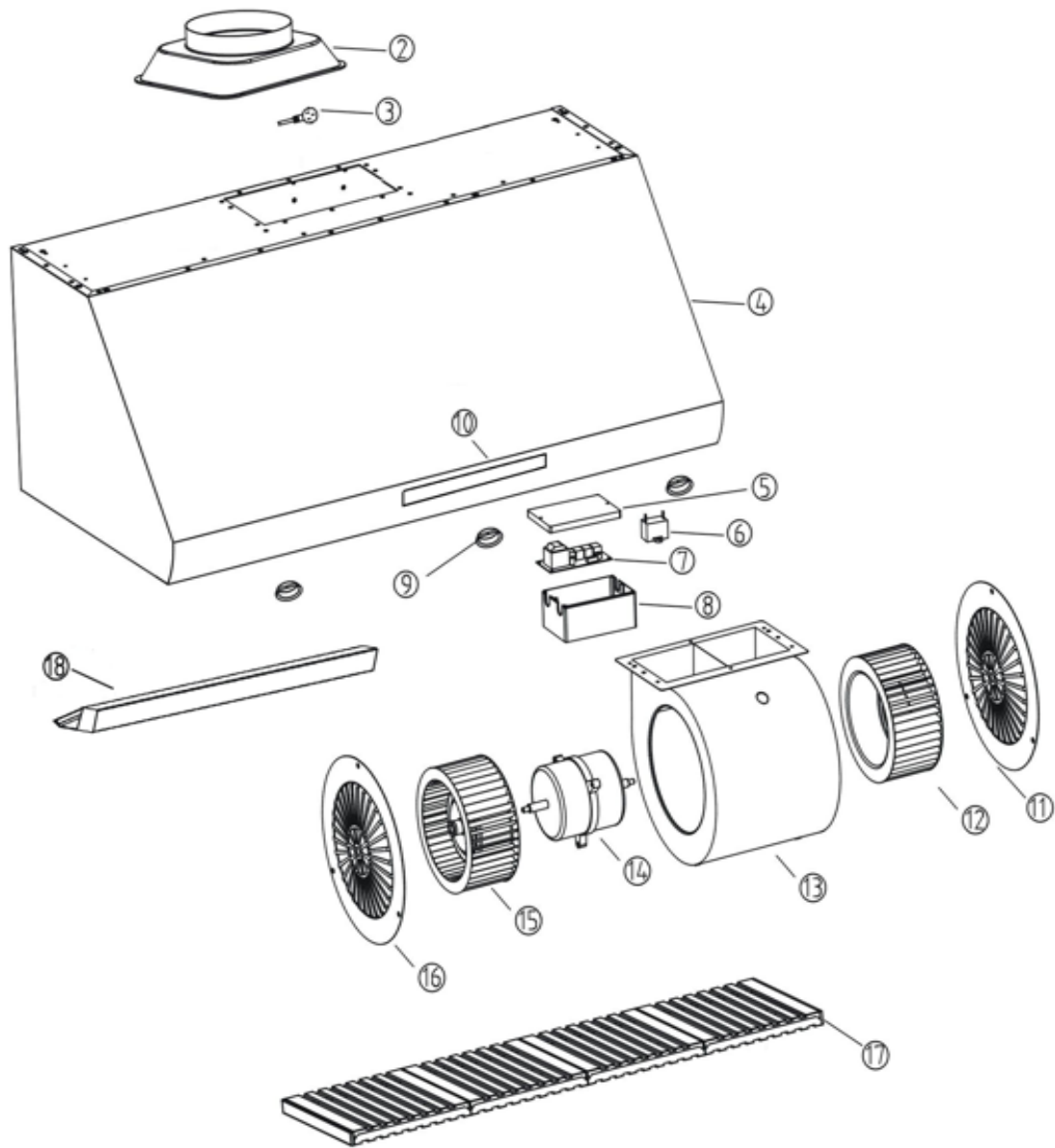
Onderdelen informatie

Erzatzteil information

Spare part information

Information de pièces





**Onderdelenlijst 7227.0100**

| <b>POS:</b> | <b>Art.No.:</b> | <b>Omschrijving:</b>  | <b>Aantal:</b> |
|-------------|-----------------|---|----------------|
| 1           |                 | NVT   | 2              |
| 2           | -               | 8" Duct Connector   | 2              |
| 3           | 9293.0830       | Power cord  | 1              |
| 4           | -               | Stainless Steel Body (Oil channel and baffle filter not included)               | 1              |
| 5           | 9035.0640       | Plastic box for the circuit board   | 1              |
| 8           |                 |   | 1              |
| 6           | 9035.0632       | 5uf capacaitor  | 2              |
| 7           | 7227.1000       | Main Circuit Board for LED Type AP/SV Series 4-Spd (R/S/L) Touch Sensor Control | 1              |
| 9           | 9035.0635       | LED 1W 12V Light Bulb Cold (White) Color  | 3              |
| 10          | 9035.0620       | 4-Spd R-Type Touch Sensor Elec. Control Panel LED w/Cable                       | 1              |
| 11          | 90350606        | Motor (Steel) 4-Spd 120V/60Hz   | 2              |
| 12          |                 |   | 2              |
| 13          |                 |   | 1              |
| 14          |                 |   | 1              |
| 15          |                 |   | 2              |
| 16          |                 |   | 2              |
| 17          | 9035.0610       | Baffle Filter Type-III (378*298)  | 3              |
| 18          | -               | Oil Channel   | 1              |